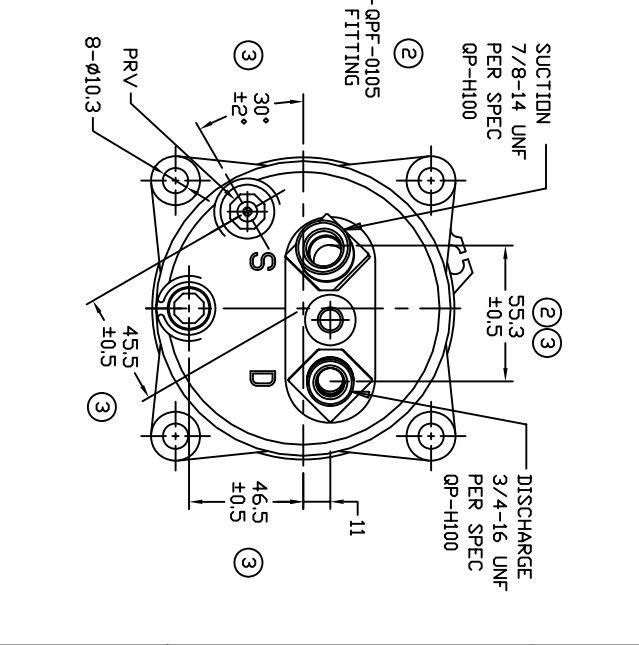
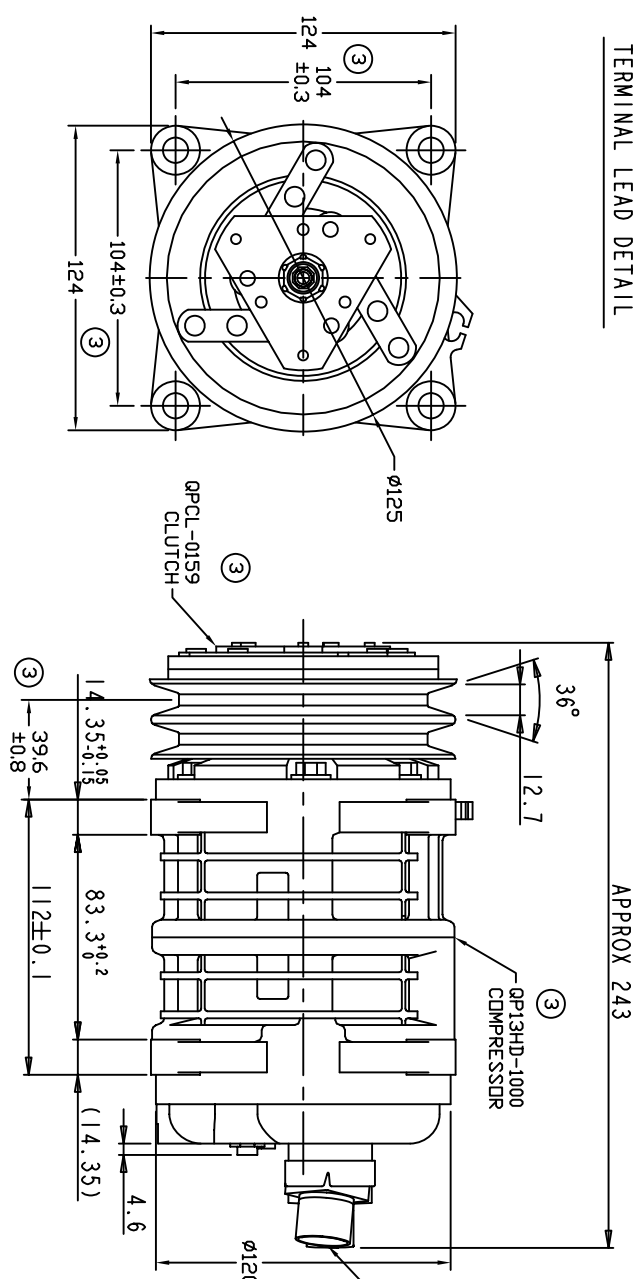


TERMINAL LEAD DETAIL

| REVISIONS | | | | |
|--------------|-----|------------------------------|----------|----------|
| CHANGE ORDER | LTR | DESCRIPTION | DATE | APPROVED |
| 008023 | 1 | PAG 46 was PAG 100 | 10/01/08 | |
| 009032 | 2 | 5S.3 WAS 58, ADDED #QPF-0105 | 07/20/09 | |
| 009035 | 3 | ADDED TOLERANCES & PART NOS | 09/18/09 | |



CLUTCH SPECIFICATIONS:

- VOLTAGE.....12 VDC
- BELT.....A2
- STATIC TORQUE.....A2
- INITIAL AFTER BURNISHING.....35 Nm (3.5 Kgfm)
- MAX POWER CONSUMPTION.....49 Nm (5 Kgfm)
- ROTATION DIRECTION.....45W ϕ 25° C
- WEIGHT.....CW OR CCW 2.30 Kg

COMPRESSOR SPECIFICATIONS:

- MODEL.....QP13HD
- NUMBER OF CYLINDERS.....6
- BORE X STROKE.....36 X 21.4 mm
- DISPLACEMENT.....131 cm³/REV
- SPEED RANGE.....700 - 6000 RPM
- ROTATION DIRECTION.....CW OR CCW
- REFRIGERANT.....R-134d
- LUBRICANT.....PAG 46 150+20cm3
- WEIGHT.....4.5 Kg

UNLESS OTHERWISE SPECIFIED DIMENSIONS ARE IN MM. PER INTERPRET DIM AND TOL. PER ASME Y14.5M - 1994



| THIRD ANGLE PROJECTION | | CAD GENERATED DRAWING, DO NOT MANUALLY UPDATE | | TITLE | |
|------------------------|----------|---|----------|--------------------------|------|
| | CHECKED | GLB | DATE | COMPRESSOR ASSEMBLY | |
| FINISH | APPROVED | | 09/18/07 | QP13HD, H-3/4 7/8 | |
| ENG APPVL | | | | A2 125mm LEAF SPRING 12V | |
| | | SCALE NONE | | SHEET 1 | OF 1 |