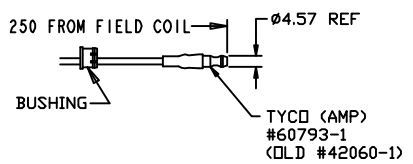
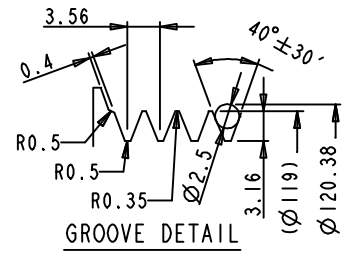
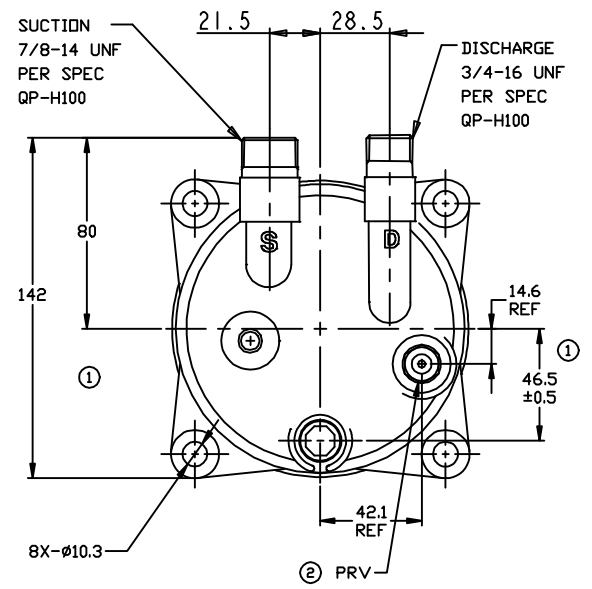
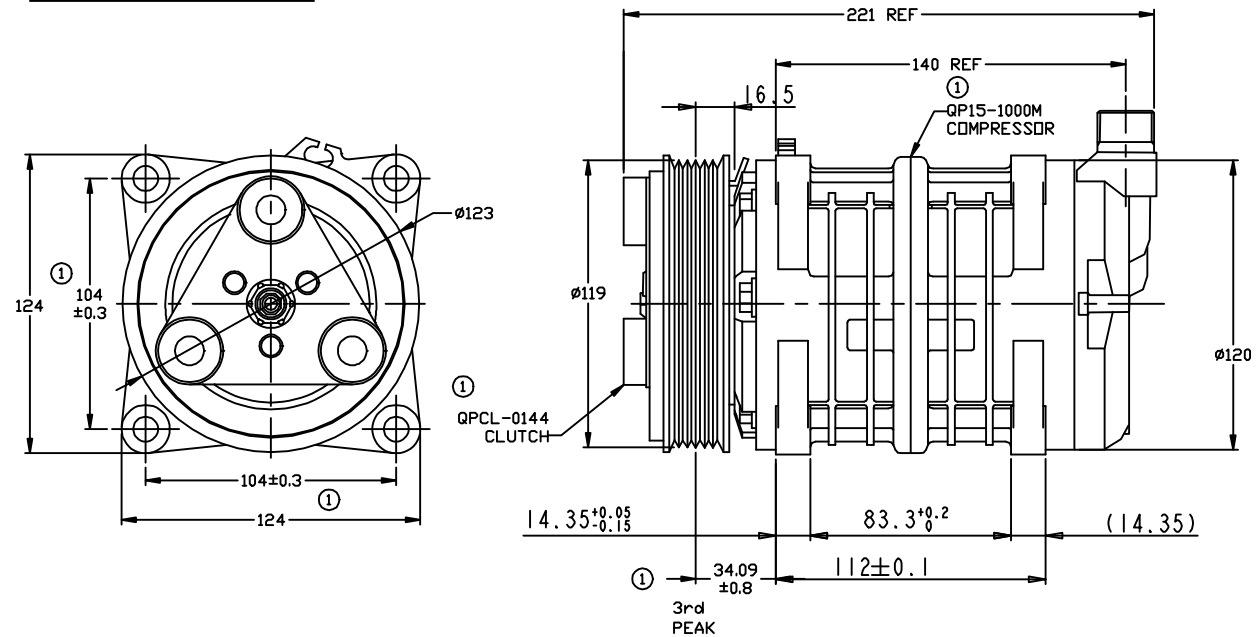


REVISIONS				
CHANGE ORDER	LTR	DESCRIPTION	DATE	APPROVED
Q09035	1	ADDED TOLERANCES & PART NO'S	09/22/09	
Q11002	2	RELOCATED PRV	03/16/11	



TERMINAL LEAD DETAIL



- CLUTCH SPECIFICATIONS:**
- VOLTAGE.....12 VDC
  - BELT.....PV6
  - STATIC TORQUE  
INITIAL.....35 Nm (3.5 Kgfm)  
AFTER BURNISHING.....49 Nm (5 Kgfm)
  - MAX POWER CONSUMPTION.....45W @ 25°C
  - ROTATION DIRECTION.....CW OR CCW
  - WEIGHT.....2.28 Kg

- COMPRESSOR SPECIFICATIONS:**
- MODEL.....QP15HD
  - NUMBER OF CYLINDERS.....6
  - BORE X STROKE.....36 X 24.0 mm
  - DISPLACEMENT.....146.7 cm<sup>3</sup>/REV
  - SPEED RANGE.....700 - 6000 RPM
  - ROTATION DIRECTION.....CW OR CCW
  - REFRIGERANT.....R-134a
  - LUBRICANT.....PAG 46 150+20 cm3
  - WEIGHT.....4.4 Kg

UNLESS OTHERWISE SPECIFIED DIMENSIONS ARE IN MM. INTERPRET DIM AND TOL PER ASME Y14.5M - 1994		CAD GENERATED DRAWING. DO NOT MANUALLY UPDATE		 DECATUR, ILLINOIS	
THIRD ANGLE PROJECTION		DRAWN GLB	DATE 07/06/09		
		CHECKED		SIZE A	CODE IDENT NO
		APPROVED		DWG NO	QP15-1158
FINISH		ENG APPVL		REV 2	
SCALE NONE				SHEET 1 OF 1	