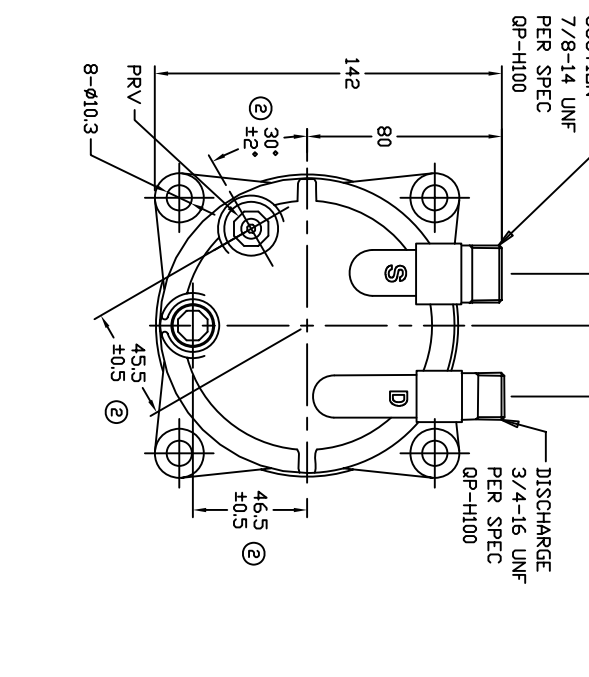
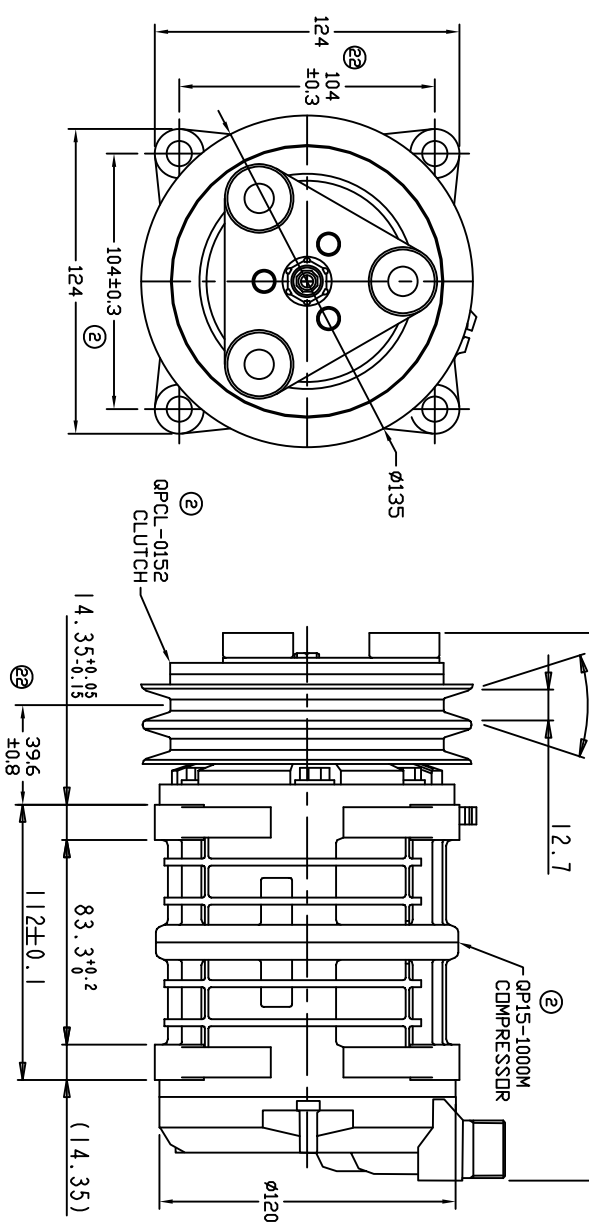
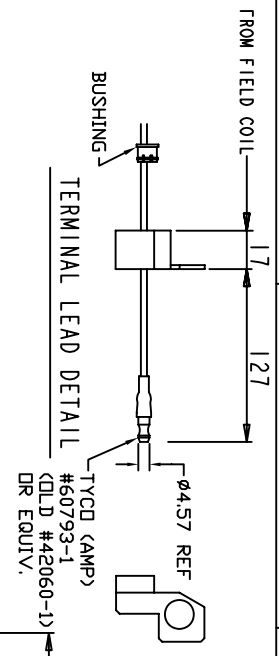


REVISIONS		DATE	APPROVED
1	PAG 46 was PAG 100	10/01/08	
2	ADDED TOLERANCES & PART NOS	10/27/09	



- CLUTCH SPECIFICATIONS:**
- VOLTAGE.....12 VDC
 - BELT.....A2
 - STATIC TORQUE.....A2
 - INITIAL AFTER BURNISHING.....35 Nm (3.5 Kgfm)
 - MAX POWER CONSUMPTION.....49 Nm (5 Kgfm)
 - ROTATION DIRECTION.....45W Ø 25°C
 - WEIGHT.....CW OR CCW
 -2.25 Kg

- COMPRESSOR SPECIFICATIONS:**
- MODEL.....QP-15HD
 - NUMBER OF CYLINDERS.....3
 - BORE X STROKE.....36 X 24.0 mm
 - DISPLACEMENT.....146.7 cm³/REV
 - SPEED RANGE.....700 - 6000 RPM
 - ROTATION DIRECTION.....CW OR CCW
 - REFRIGERANT.....R-134a
 - LUBRICANT.....PAG 46 150+20cm³
 - WEIGHT.....4.6 Kg

UNLESS OTHERWISE SPECIFIED DIMENSIONS ARE IN MM PER INTERPRET DIM AND TOL PER ASME Y14.5M - 1994	CAD GENERATED DRAWING; DO NOT MANUALLY UPDATE
THIRD ANGLE PROJECTION	DRAWN
CHECKED	GLB
APPROVED	DATE
ENG APPVL	11/08/07

ROQUE PRODUCTS, LLC

TITLE: COMPRESSOR ASSEMBLY

QP-15HD, MONOLITHIC HEAD

A2 135mm 12V 3-EYE

SCALE: NONE

SHEET 1 OF 1

- 1. CLUTCH SPECIFICATIONS:**
- VOLTAGE.....12 VDC
 - BELT.....A2
 - STATIC TORQUE.....A2
 - INITIAL AFTER BURNISHING.....35 Nm (3.5 Kgfm)
 - MAX POWER CONSUMPTION.....49 Nm (5 Kgfm)
 - ROTATION DIRECTION.....45W Ø 25°C
 - WEIGHT.....CW OR CCW
 -2.25 Kg
- 2. COMPRESSOR SPECIFICATIONS:**
- MODEL.....QP-15HD
 - NUMBER OF CYLINDERS.....3
 - BORE X STROKE.....36 X 24.0 mm
 - DISPLACEMENT.....146.7 cm³/REV
 - SPEED RANGE.....700 - 6000 RPM
 - ROTATION DIRECTION.....CW OR CCW
 - REFRIGERANT.....R-134a
 - LUBRICANT.....PAG 46 150+20cm³
 - WEIGHT.....4.6 Kg

UNLESS OTHERWISE SPECIFIED DIMENSIONS ARE IN MM PER INTERPRET DIM AND TOL PER ASME Y14.5M - 1994	CAD GENERATED DRAWING; DO NOT MANUALLY UPDATE
THIRD ANGLE PROJECTION	DRAWN
CHECKED	GLB
APPROVED	DATE
ENG APPVL	11/08/07

ROQUE PRODUCTS, LLC

TITLE: COMPRESSOR ASSEMBLY

QP-15HD, MONOLITHIC HEAD

A2 135mm 12V 3-EYE

SCALE: NONE

SHEET 1 OF 1