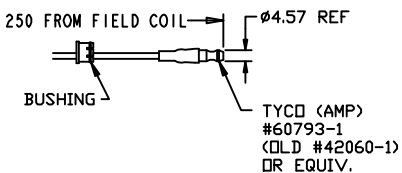
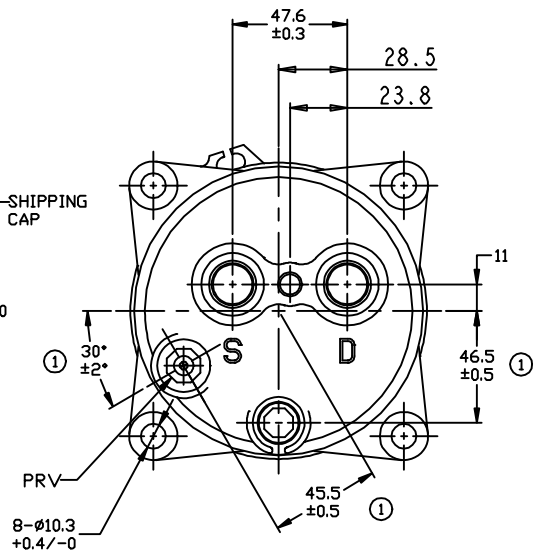
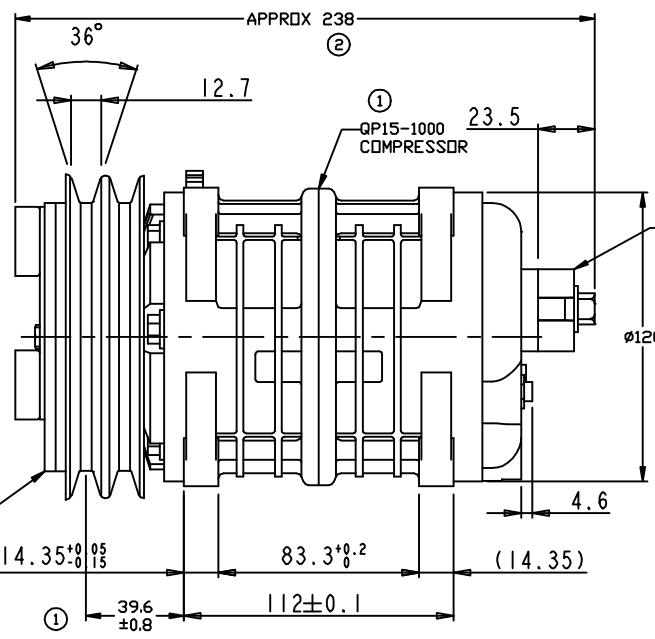
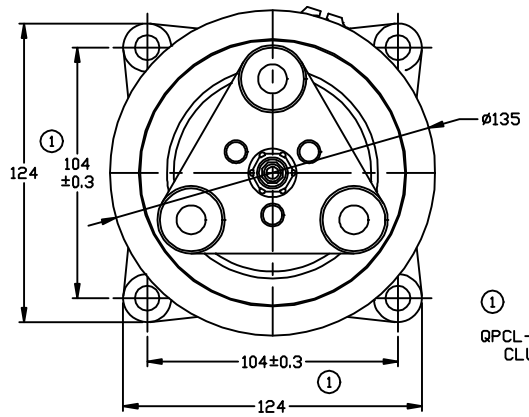


REVISIONS				
CHANGE ORDER	LTR	DESCRIPTION	DATE	APPROVED
Q09035	1	ADDED TOLERANCES & PART NO'S	10/14/09	
ENG	2	238 WAS 138 ICE TYPD	11/02/10	



TERMINAL LEAD DETAIL



- CLUTCH SPECIFICATIONS:**
- VOLTAGE.....12 VDC
 - BELT.....A2
 - STATIC TORQUE
INITIAL.....35 Nm (3.5 Kgf)
AFTER BURNISHING.....49 Nm (5 Kgf)
 - MAX POWER CONSUMPTION.....45W @ 25°C
 - ROTATION DIRECTION.....CW OR CCW
 - WEIGHT.....2.25 Kg

- COMPRESSOR SPECIFICATIONS:**
- MODEL.....QP15HD
 - NUMBER OF CYLINDERS.....6
 - BORE X STROKE.....36 X 24.0 mm
 - DISPLACEMENT.....146.7 cm³/REV
 - SPEED RANGE.....700 - 6000 RPM
 - ROTATION DIRECTION.....CW OR CCW
 - REFRIGERANT.....R-134a
 - LUBRICANT.....PAG 46 150+20 cm³
 - WEIGHT.....4.4 Kg

UNLESS OTHERWISE SPECIFIED DIMENSIONS ARE IN MM. INTERPRET DIM AND TOL PER ASME Y14.5M - 1994	CAD GENERATED DRAWING, DO NOT MANUALLY UPDATE			
	THIRD ANGLE PROJECTION	DRAWN GLB		
	CHECKED	APPROVED	SIZE A	CODE IDENT NO QP15-1387
	FINISH	ENG APPVL	DWG NO	REV 2
SCALE: NONE			SHEET 1 OF 1	