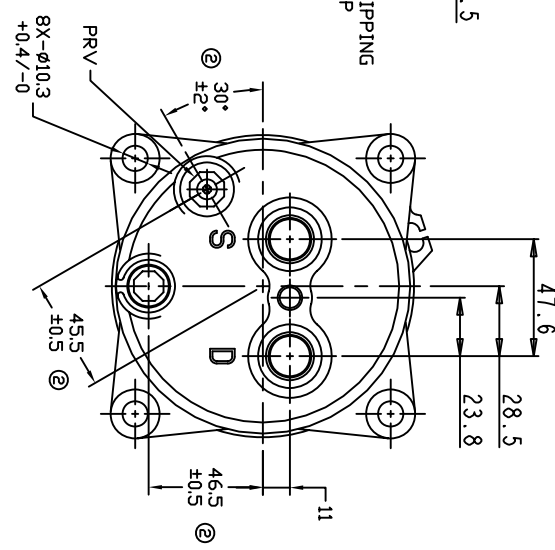
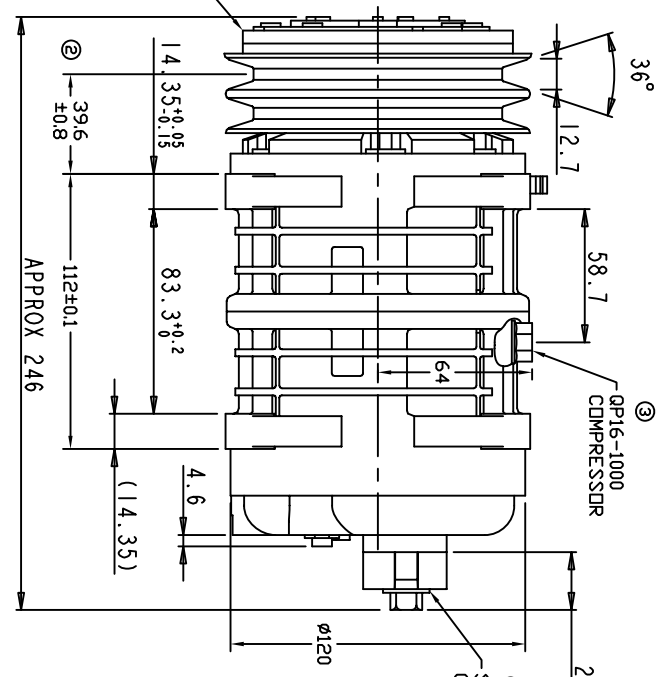
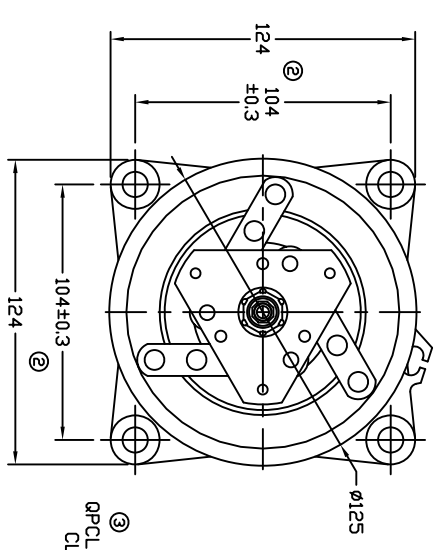


TERMINAL LEAD DETAIL

CHANGE ORDER		LTR		DESCRIPTION		DATE	APPROVED
008023	1	PAG 46 was	PAG 100			08/26/08	
009035	2	ADDED TOLERANCES				08/13/09	
ENG	3	ADDED PART NOS				11/03/09	



CLUTCH SPECIFICATIONS:

- VOLTAGE.....12 VDC
- BELT.....A2
- STATIC TORQUE.....35 Nm (3.5 Kgfm)
- AFTER BURNISHING.....49 Nm (5 Kgfm)
- MAX POWER CONSUMPTION.....45W @ 25°C
- ROTATION DIRECTION.....CW OR CCW
- WEIGHT.....2.30 Kg

COMPRESSOR SPECIFICATIONS:

- MODEL.....QP16HD
- NUMBER OF CYLINDERS.....6
- BORE X STROKE.....36 X 26.7 mm
- DISPLACEMENT.....162.9 cm³/REV
- SPEED RANGE.....700 - 6000 RPM
- ROTATION DIRECTION.....CW OR CCW
- REFRIGERANT.....R-134a
- LUBRICANT.....PAG 46 180+20cm³
- WEIGHT.....4.7 Kg

UNLESS OTHERWISE SPECIFIED
DIMENSIONS ARE IN MM. PER
INTERPRET DIM AND TOL. PER
ASME Y14.5M - 1994



CAD GENERATED DRAWING;
DO NOT MANUALLY UPDATE

TITLE
COMPRESSOR ASSEMBLY
QP16HD H-PAD
A2 125mm LEAF SPRING 12V

THIRD ANGLE PROJECTION	CHECKED	DATE
	APPROVED	

FINISH	ENG APPVL	SCALE: NONE	SHEET 1 OF 1
--------	-----------	-------------	--------------

DRWN	GLB	DATE

SIZE	CODE IDENT NO	DWG NO	REV
A		QP16-1201	3