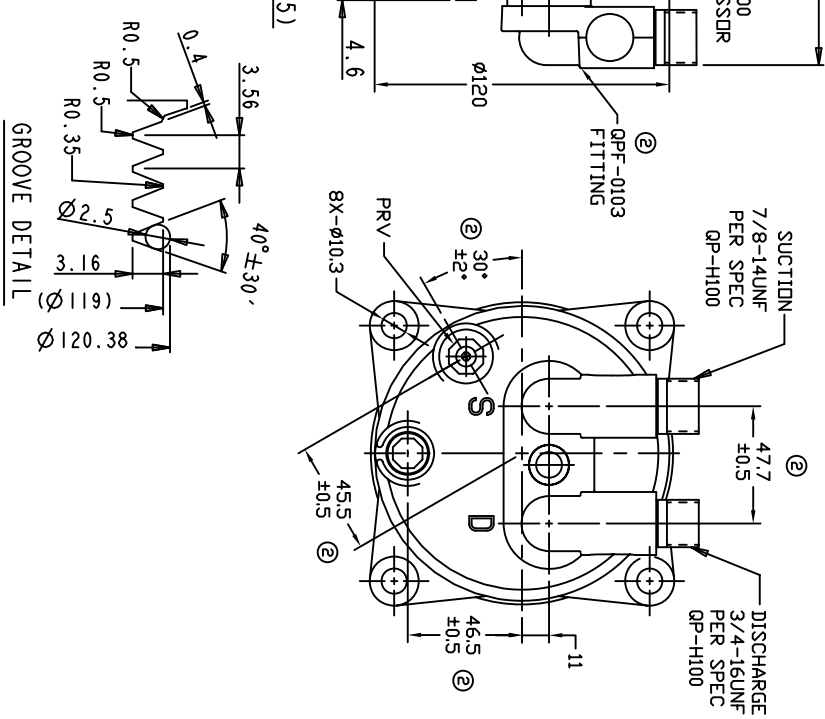
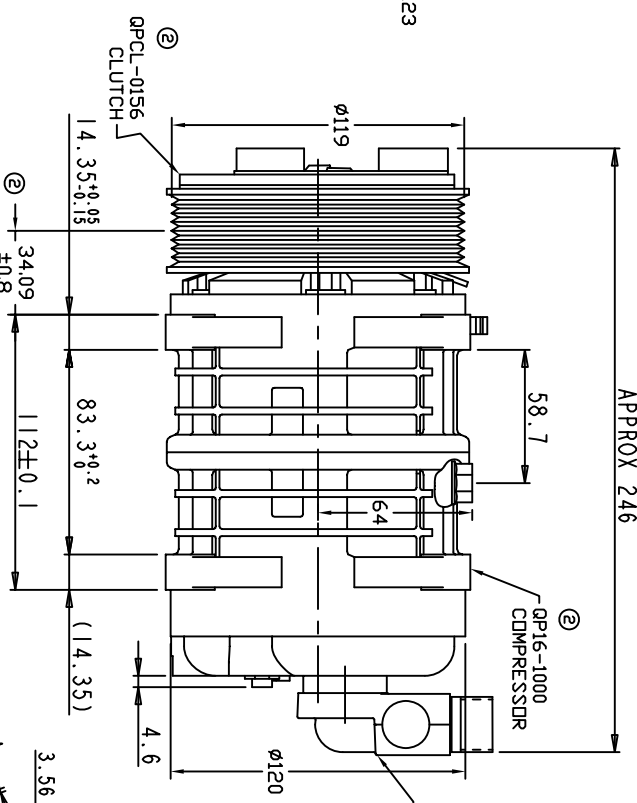
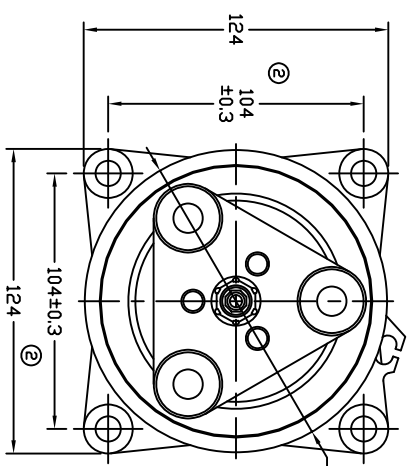


TERMINAL LEAD DETAIL

REVISIONS		DATE	APPROVED
CHANGE ORDER	LTR	DESCRIPTION	
008023	1	PAG 46 was PAG 100	09/11/08
009035	2	ADDED TOLERANCES & PART NOS	10/19/09



GROOVE DETAIL

CLUTCH SPECIFICATIONS:

- VOLTAGE.....24 VDC
- BELT.....PV8
- STATIC TORQUE.....
- INITIAL AFTER BURNISHING.....35 Nm (3.5 Kgfm)
- MAX POWER CONSUMPTION.....49 Nm (5 Kgfm)
- ROTATION DIRECTION.....45W @ 25°C
- WEIGHT.....CW OR CCW
- .....2.30 Kg

COMPRESSOR SPECIFICATIONS:

- MODEL.....QP16HD
- NUMBER OF CYLINDERS.....6
- BORE X STROKE.....36 X 26.7 mm
- DISPLACEMENT.....162.9 cm<sup>3</sup>/REV
- SPEED RANGE.....700 - 6000 RPM
- ROTATION DIRECTION.....CW OR CCW
- REFRIGERANT.....R-134a
- LUBRICANT.....PAG 46 180+20 cm<sup>3</sup>
- WEIGHT.....4.7 Kg

UNLESS OTHERWISE SPECIFIED  
 DIMENSIONS ARE IN MM PER  
 INTERPRET DIM AND TOL PER  
 ASME Y14.5M - 1994



CAD GENERATED DRAWING; DO NOT MANUALLY UPDATE	DATE	TITLE
DRAWN	06/21/07	COMPRESSOR ASSEMBLY
CHECKED		QP16HD V-3/4 7/8
APPROVED		PV8 119MM 24V 3-EYE

THIRD ANGLE PROJECTION	CHECKED	APPROVED	SCALE NONE	SHEET 1 OF 1
FINISH	ENG APPVL			

FINISH	SCALE NONE	SHEET 1 OF 1