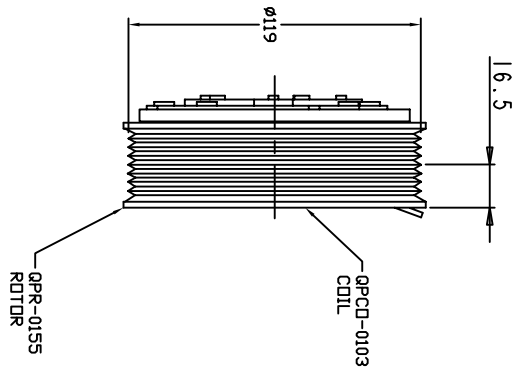
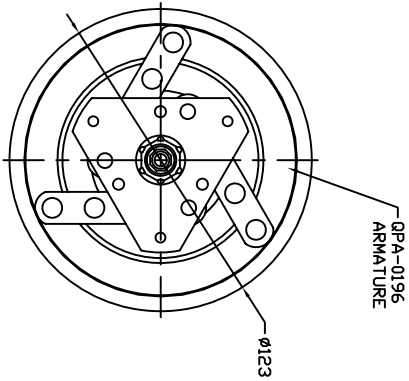
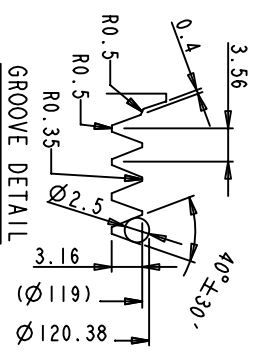
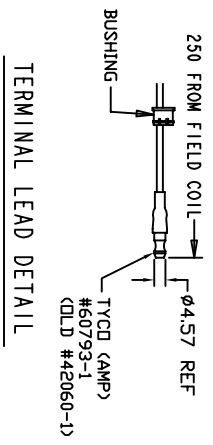


REVISIONS				
CHANGE ORDER	LTR	DESCRIPTION	DATE	APPROVED



- CLUTCH SPECIFICATIONS:
- VOLTAGE..... 12 VDC
 - BELT..... PV8
 - STATIC TORQUE.....
 - INITIAL..... 35 Nm (3.5 Kgfm)
 - AFTER BURNISHING..... 49 Nm (5 Kgfm)
 - MAX POWER CONSUMPTION..... 45W @ 25°C
 - ROTATION DIRECTION..... CW OR CCW
 - WEIGHT..... 2.3 Kg



UNLESS OTHERWISE SPECIFIED DIMENSIONS ARE IN MM. PER INTERPRET DIM AND TOL PER ASME Y14.5M - 1994		CAD GENERATED DRAWING; DO NOT MANUALLY UPDATE	
THIRD ANGLE PROJECTION	CHECKED	GLB	DATE 08/28/09
FINISH	APPROVED	ENG APPVL	
TITLE		CLUTCH 08-16	
SIZE		PV8 119MM 12V LEAF SPRING	
SCALE NONE		QPCL-0162	
SHEET 1 OF 1		REV	