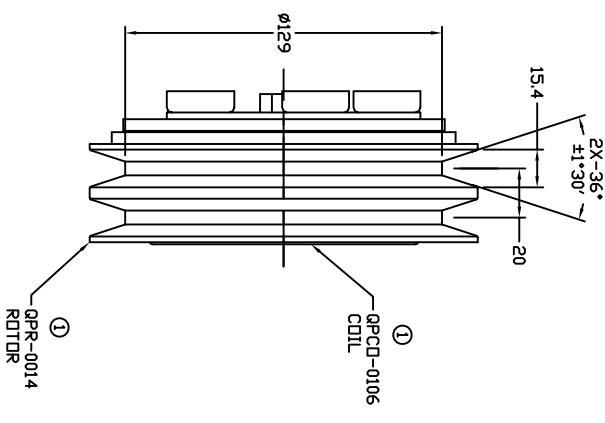
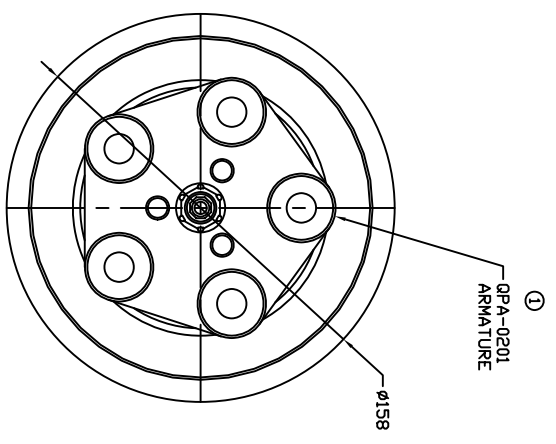
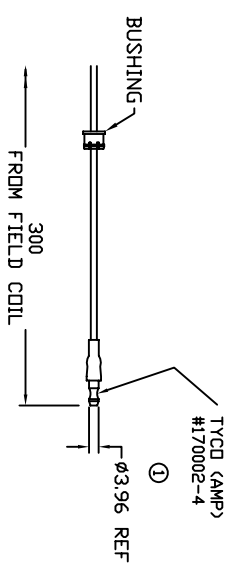


REVISIONS				
CHANGE ORDER	LTR	DESCRIPTION	DATE	APPROVED
Q09033	1	170002 WAS 60793, ADDED PART NDS	11/12/09	



CLUTCH SPECIFICATIONS:

- VOLTAGE..... 12 VDC
- BELT..... B2
- MIN STATIC TORQUE..... 78 N·m (8 kgfm)
- MAX POWER CONSUMPTION..... 46W @ 25°C
- MINIMUM PULL-IN VOLTAGE..... 10.5V @ 90°C
- MASS..... 4.8 kg



UNLESS OTHERWISE SPECIFIED
DIMENSIONS ARE IN MM. PER
INTERPRET DIM AND TOL PER
ASME Y14.5M - 1994

CAD GENERATED DRAWING;
DO NOT MANUALLY UPDATE

THIRD ANGLE PROJECTION	DRAWN	GLB	DATE
	CHECKED		09/25/08
	APPROVED		

FINISH	ENG APPVL



TITLE
CLUTCH QP31

SIZE A
CODE IDENT NO DWG NO
B2 158mm 12V 5-EYE QPCL-0166

SCALE	NONE	SHEET	1	OF	1
REV	1				