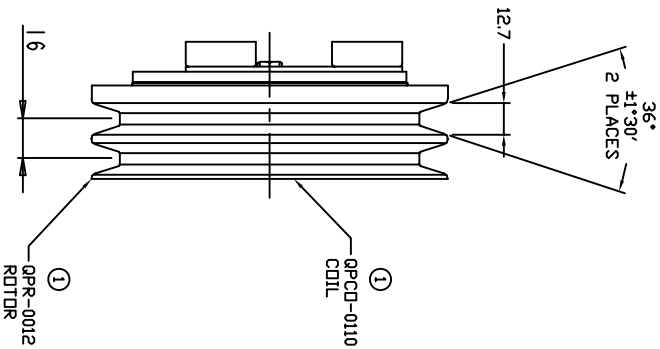
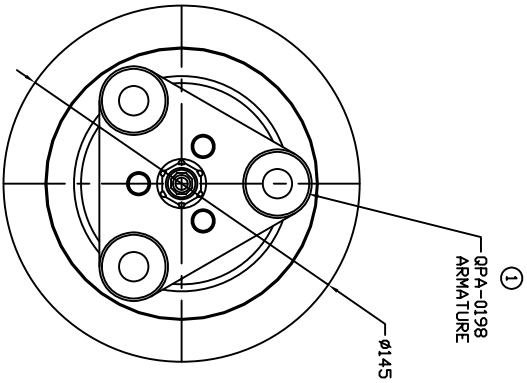
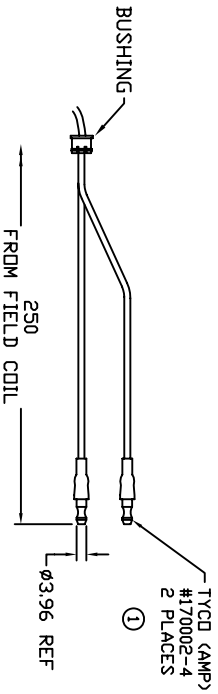


REVISIONS				
CHANGE ORDER	LTR	DESCRIPTION	DATE	APPROVED
Q09033	1	BULLET WAS 60793-1, ADDED PART NUT'S	11/12/09	



- CLUTCH SPECIFICATIONS:
- VOLTAGE.....12 VDC
 - BELT.....A2
 - STATIC TORQUE.....35 Nm (3.5 Kgfm)
INITIAL.....49 Nm (5 Kgfm)
AFTER BURNISHING.....45W Ø 25°C
 - MAX POWER CONSUMPTION.....CW OR CCW
 - ROTATION DIRECTION.....2.25 Kg
 - WEIGHT.....



UNLESS OTHERWISE SPECIFIED
DIMENSIONS ARE IN MM. PER
INTERPRET DIM AND TOL. PER
ASME Y14.5M - 1994

THIRD ANGLE PROJECTION



FINISH

CAD GENERATED DRAWING,
DO NOT MANUALLY UPDATE

DRAWN G.L.B. DATE 08/15/08

CHECKED

APPROVED

ENG APPVL

QPAE PRODUCTS, LLC

TITLE CLUTCH QP21

A2 145mm 12V 3-EYE

SCALE NONE SHEET 1 OF 1

6 5 4 3 2

A B C D

IT