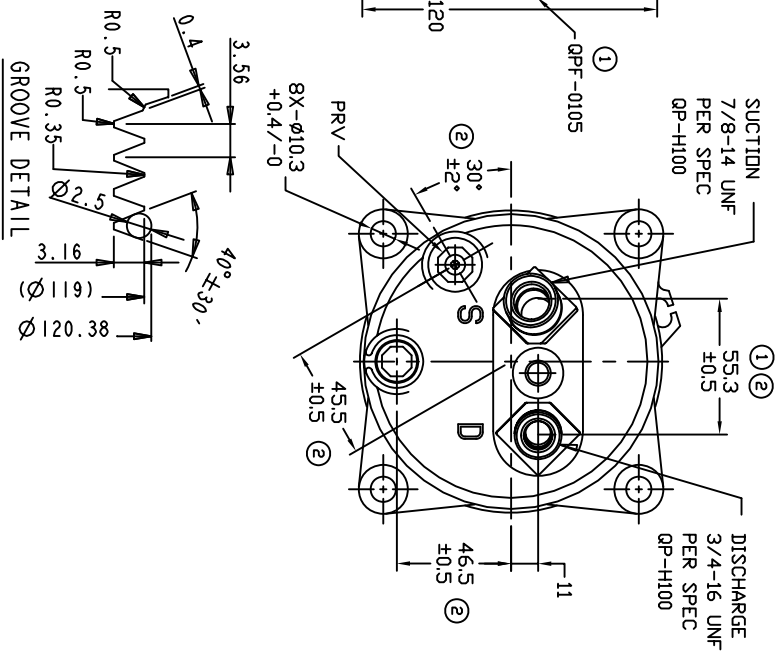
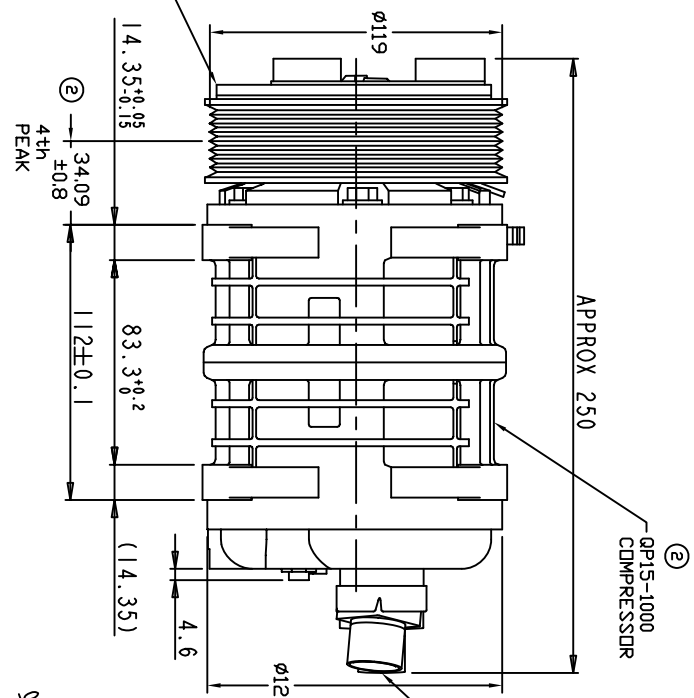
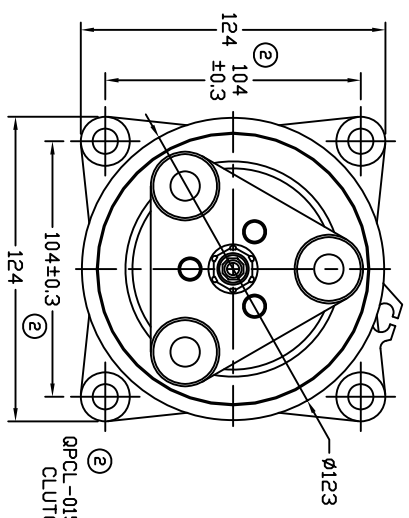


TERMINAL LEAD DETAIL

REVISIONS		DATE	APPROVED
CHANGE ORDER	LTR	DESCRIPTION	
009032	1	SS3 WAS 58, ADDED #QP1-0105	07/20/09
009035	2	ADDED TOLERANCES & PART NOS	10/22/09



GROOVE DETAIL

**CLUTCH SPECIFICATIONS:**

- VOLTAGE..... 12 VDC
- BELT..... PV8
- STATIC TORQUE.....
- INITIAL AFTER BURNISHING..... 35 Nm (3.5 Kgfm)
- MAX POWER CONSUMPTION..... 49 Nm (5 Kgfm)
- ROTATION DIRECTION..... 45W @ 25°C
- WEIGHT..... CW OR CCW
- WEIGHT..... 2.3 Kg

**COMPRESSOR SPECIFICATIONS:**

- MODEL..... QP15HD
- NUMBER OF CYLINDERS..... 6
- BORE X STROKE..... 36 X 24.0 mm
- DISPLACEMENT..... 146.7 cm<sup>3</sup>/REV
- SPEED RANGE..... 700 - 6000 RPM
- ROTATION DIRECTION..... CW OR CCW
- REFRIGERANT..... R-134a
- LUBRICANT..... PAG 46 150+20cm<sup>3</sup>
- WEIGHT..... 4.4 Kg

UNLESS OTHERWISE SPECIFIED  
DIMENSIONS ARE IN MM. PER  
INTERPRET DIM AND TOL. PER  
ASME Y14.5M - 1994

**DO NOT MANUALLY UPDATE**

THIRD ANGLE PROJECTION	CAD GENERATED DRAWING, DO NOT MANUALLY UPDATE	DATE	TITLE
CHECKED	GL B	11/08/07	COMPRESSOR ASSEMBLY
APPROVED			QP15 HD, H-FITTING
ENG APPVL			PV8 119MM 12V 3-EYE



FINISH	SCALE	SHEET	OF
	NONE	1	1

REV 2

SIZE A