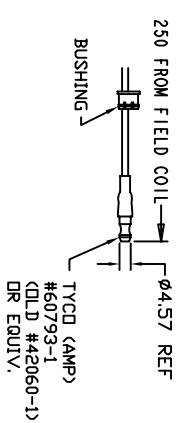
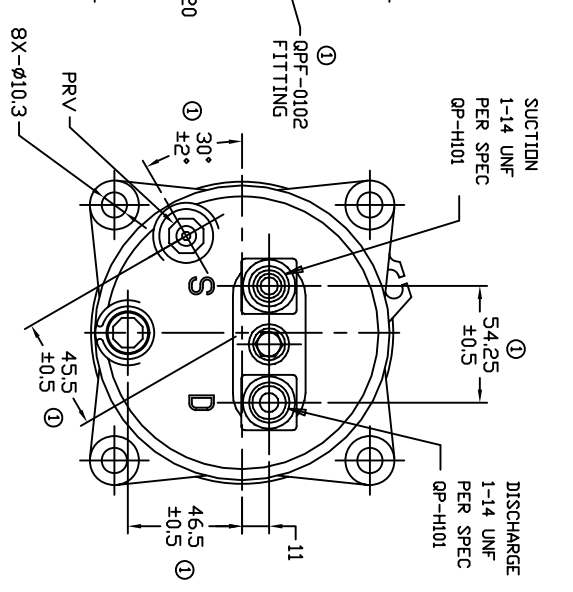
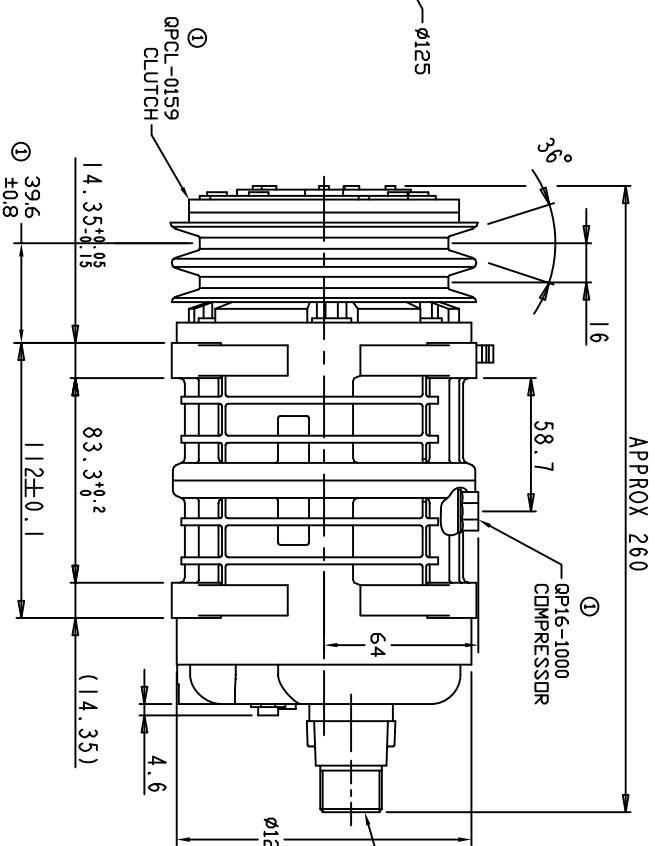
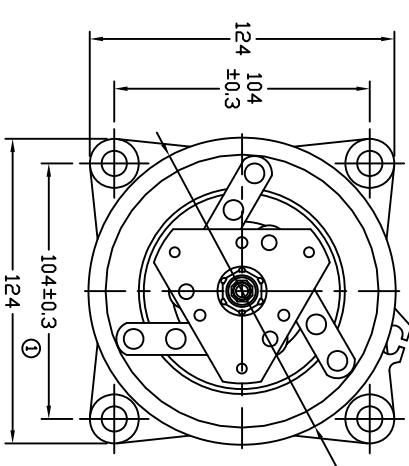


REVISIONS		DATE	APPROVED
CHANGE ORDER	LTR	DESCRIPTION	
009035	1	ADDED TOLERANCES & PART NOS	10/14/09



TERMINAL LEAD DETAIL



**B CLUTCH SPECIFICATIONS:**

- VOLTAGE..... 12 VDC
- BELT..... A2
- STATIC TORQUE..... A2
- INITIAL AFTER BURNISHING..... 35 Nm (3.5 Kgfm)
- MAX POWER CONSUMPTION..... 49 Nm (5 Kgfm)
- ROTATION DIRECTION..... 45W @ 25°C
- WEIGHT..... CW OR CCW 2.30 Kg

**COMPRESSOR SPECIFICATIONS:**

- MODEL..... QP16HD
- NUMBER OF CYLINDERS..... 6
- BORE X STROKE..... 36 X 26.7 mm
- DISPLACEMENT..... 162.9 cm<sup>3</sup>/REV
- SPEED RANGE..... 700 - 6000 RPM
- ROTATION DIRECTION..... CW OR CCW
- REFRIGERANT..... R-134a
- LUBRICANT..... PAG 46 180+20cm<sup>3</sup>
- WEIGHT..... 4.7 Kg

UNLESS OTHERWISE SPECIFIED DIMENSIONS ARE IN MM PER INTERPRET DIM AND TOL PER ASME Y14.5M - 1994



CAD GENERATED DRAWING, DO NOT MANUALLY UPDATE	DATE
GLB	09/18/07

TITLE  
COMPRESSOR ASSEMBLY  
QP16HD H-1X14

THIRD ANGLE PROJECTION	CHECKED	APPROVED

SIZE	CODE IDENT NO	DWG NO	REV
A		QP16-1350	1

FINISH	ENG APPVL

SCALE:	SHEET	OF
NONE	1	1