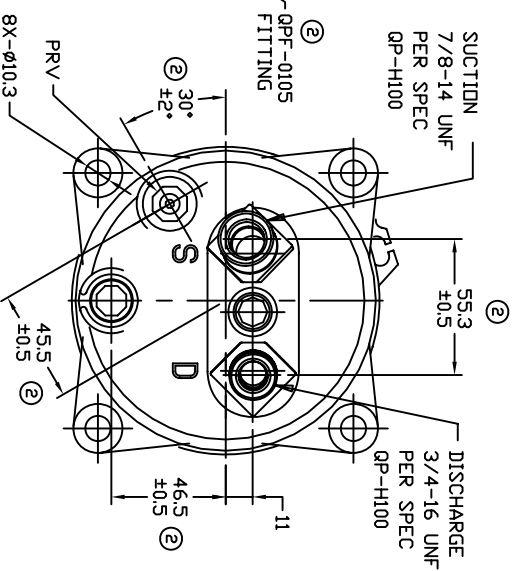
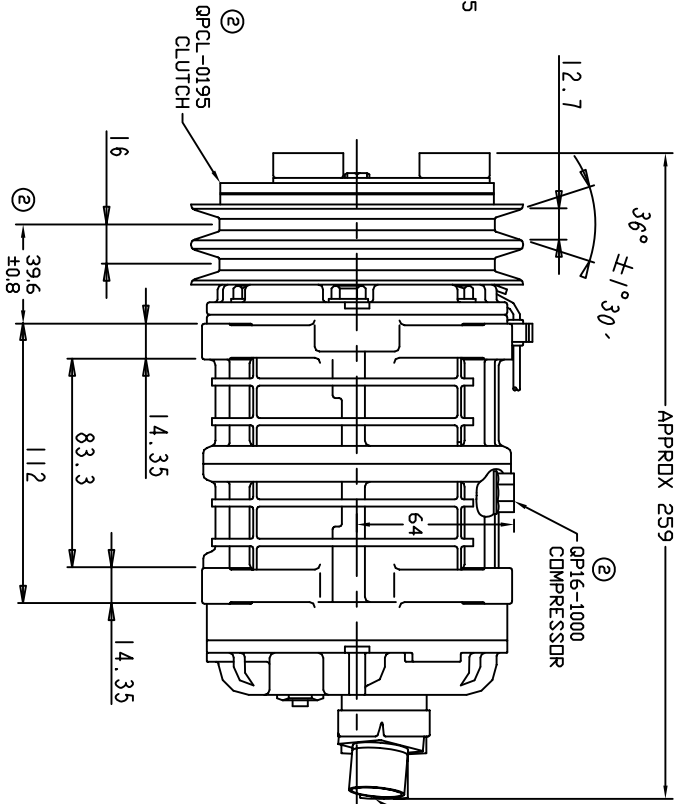
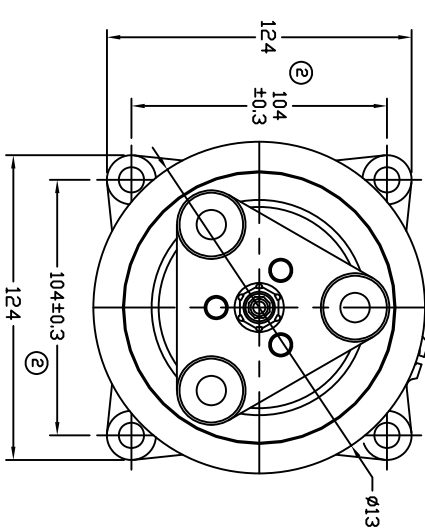


250 FROM FIELD COIL

REVISIONS		DATE	APPROVED
CHANGE ORDER	LTR	DESCRIPTION	
009014	1	DETAILED CONNECTOR	07/14/09
009032, 35	2	ADDED TOLERANCES & PART NOS	11/03/09



CLUTCH SPECIFICATIONS:

- VOLTAGE..... 12 VDC
- BELT..... A2
- STATIC TORQUE..... 35 Nm (3.5 Kgfm)
- INITIAL AFTER BURNISHING..... 49 Nm (5 Kgfm)
- MAX POWER CONSUMPTION..... 45W @ 25°C
- ROTATION DIRECTION..... CW OR CCW
- WEIGHT..... 2.25 Kg

COMPRESSOR SPECIFICATIONS:

- MODEL..... QP16
- NUMBER OF CYLINDERS..... 6
- BORE X STROKE..... 36 X 26.7 mm
- DISPLACEMENT..... 162.9 cm³/REV
- SPEED RANGE..... 700 - 6000 RPM
- ROTATION DIRECTION..... CW OR CCW
- REFRIGERANT..... R-134a
- LUBRICANT..... PAG 46 180+20cm³
- WEIGHT..... 4.7 Kg

UNLESS OTHERWISE SPECIFIED DIMENSIONS ARE IN MM. PER INTERPRET DIM AND TOL. PER ASME Y14.5M - 1994



THIRD ANGLE PROJECTION	DRAWN	GLB	DATE
CHECKED			07/07/08
APPROVED			

TITLE
COMPRESSOR ASSEMBLY
QP16HD H-3/4 7/8
A2 135mm 12V 3-EYE



FINISH	ENG APPVL	SCALE NONE	SHEET 1 OF 1
SIZE A	CODE IDENT NO DWG NO	QP16-1596	REV 2