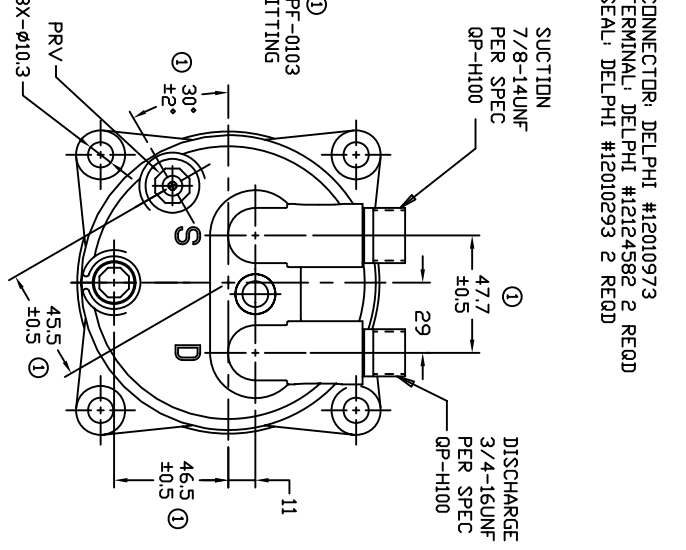
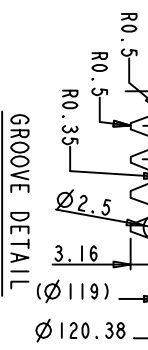
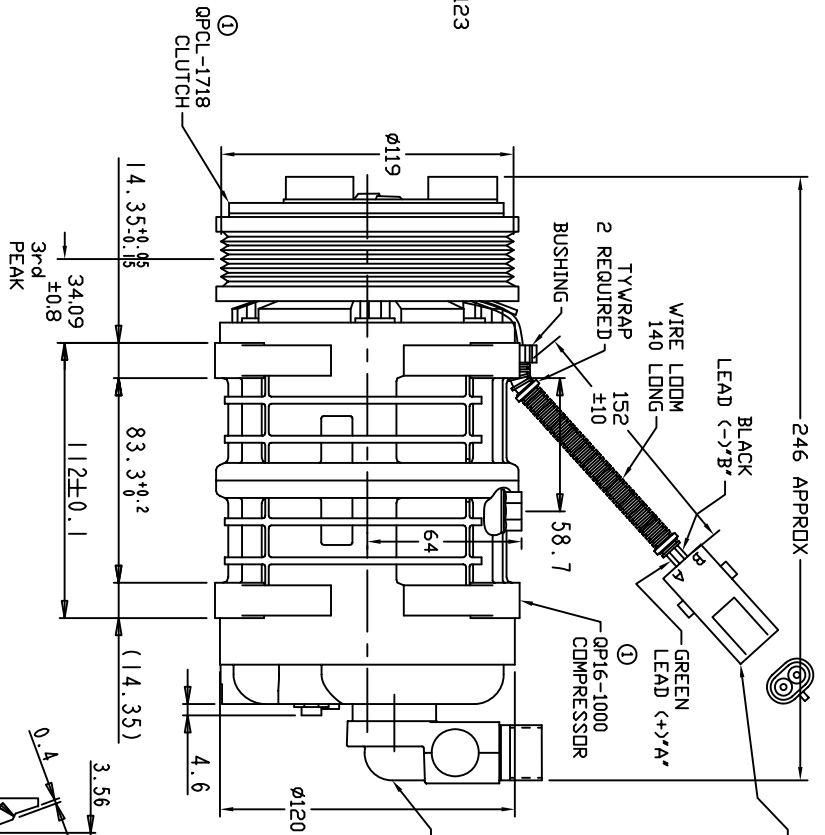
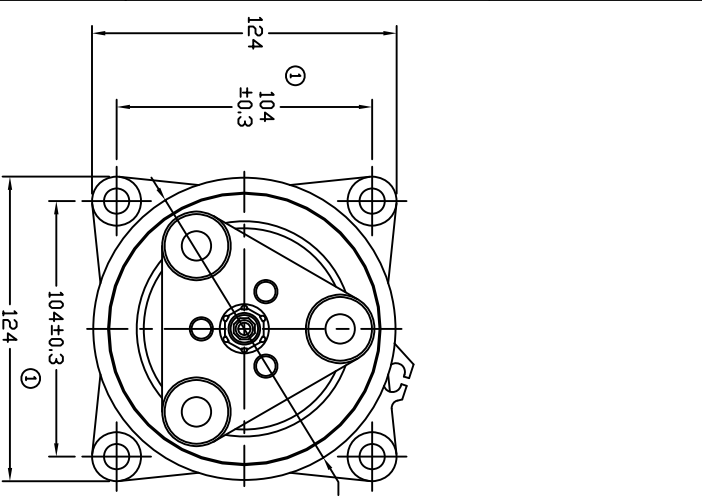


REVISIONS		DATE	APPROVED
CHANGE ORDER	LTR	DESCRIPTION	
009035	1	ADDED TOLERANCES & PART NOS	10/26/09



CONNECTOR: DELPHI #12010973
 TERMINAL: DELPHI #12124582 2 REOD
 SEAL: DELPHI #12010293 2 REOD

CLUTCH SPECIFICATIONS:

- VOLTAGE.....24 VDC
- BELT.....PVC
- STATIC TORQUE.....
- INITIAL AFTER BURNISHING.....35 Nm (3.5 Kgfm)
- MAX POWER CONSUMPTION.....49 Nm (5 Kgfm)
- ROTATION DIRECTION.....45W Ø 25°C
- WEIGHT.....CW OR CCW
- WEIGHT.....2.25 Kg

COMPRESSOR SPECIFICATIONS:

- MODEL.....QP16HD
- NUMBER OF CYLINDERS.....6
- BORE X STROKE.....36 X 26.7 mm
- DISPLACEMENT.....162.9 cm³/REV
- SPEED RANGE.....700 - 6000 RPM
- ROTATION DIRECTION.....CW OR CCW
- REFRIGERANT.....R-134a
- LUBRICANT.....PAG 46 180+20 cm³
- WEIGHT.....4.7 Kg

UNLESS OTHERWISE SPECIFIED
 DIMENSIONS ARE IN MM. PER
 INTERPRET DIM AND TOL. PER
 ASME Y14.5M - 1994

ROQUE PRODUCTS, LLC
 COMPRESSOR ASSEMBLY
 QP16HD V-3/4 7/8
 PVC 119mm 24V 3 EYE

THIRD ANGLE PROJECTION	CAD GENERATED DRAWING, DO NOT MANUALLY UPDATE	TITLE	SCALE NONE
	DRAWN: GLB CHECKED: APPROVED: FINISH:	DATE: 07/18/08 DATE:	SIZE: A CODE IDENT NO: QP16-1718 DWG NO:
	ENG APPVL: SHEET 1 OF 1		